

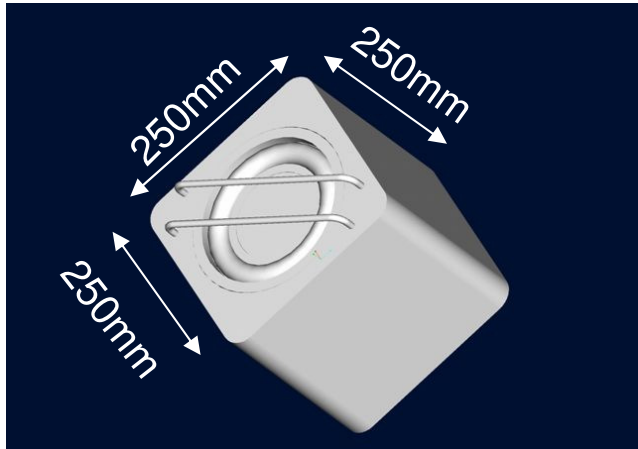
# 8" & 10" e<sup>2</sup> Subwoofer Installation Manual



# 8" FS e<sup>2</sup> Subwoofer Installation Guide

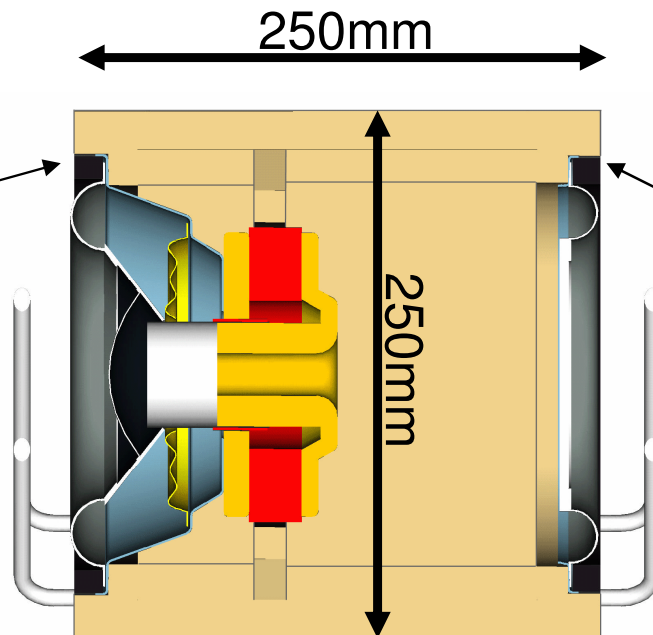


# 8" Subwoofer Installation with Passive Radiator



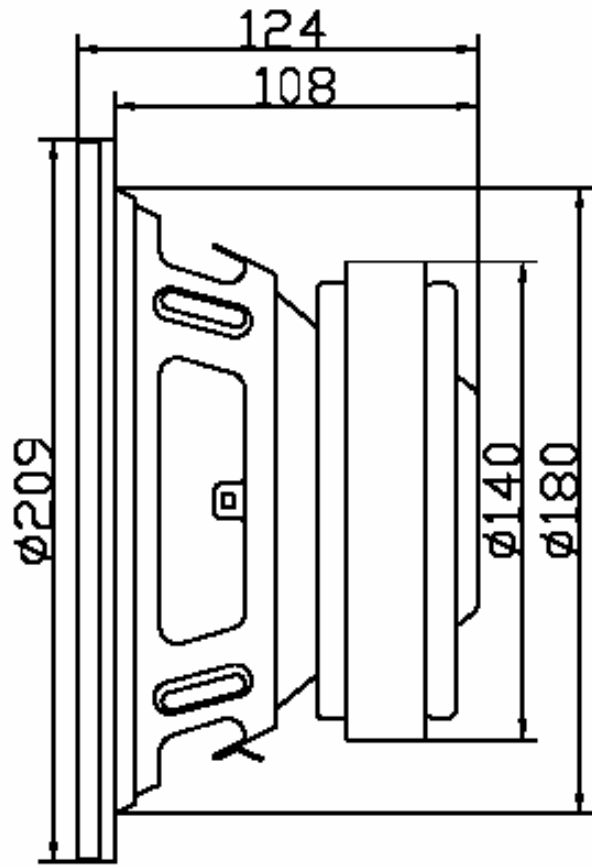
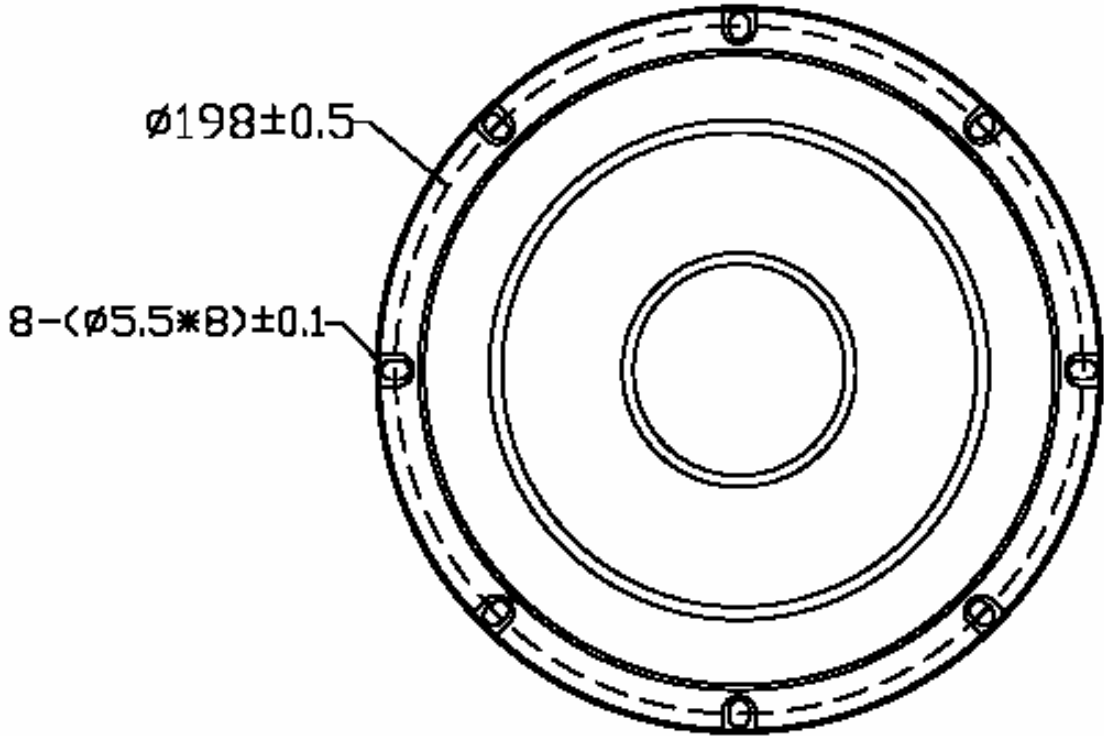
- Recommended Cube Enclosure of outer dimension of **250mm x 250mm x 250mm** using **15mm (min.)** to **25mm** thick MDF board.
- Box internal Volume needed is **8 (mins)** to **10** liters (+/-10%).
- Drivers Should be **mounted back to back** as shown below.

**Ø 180mm**  
8" Subwoofer Driver  
**Cut Diameter**

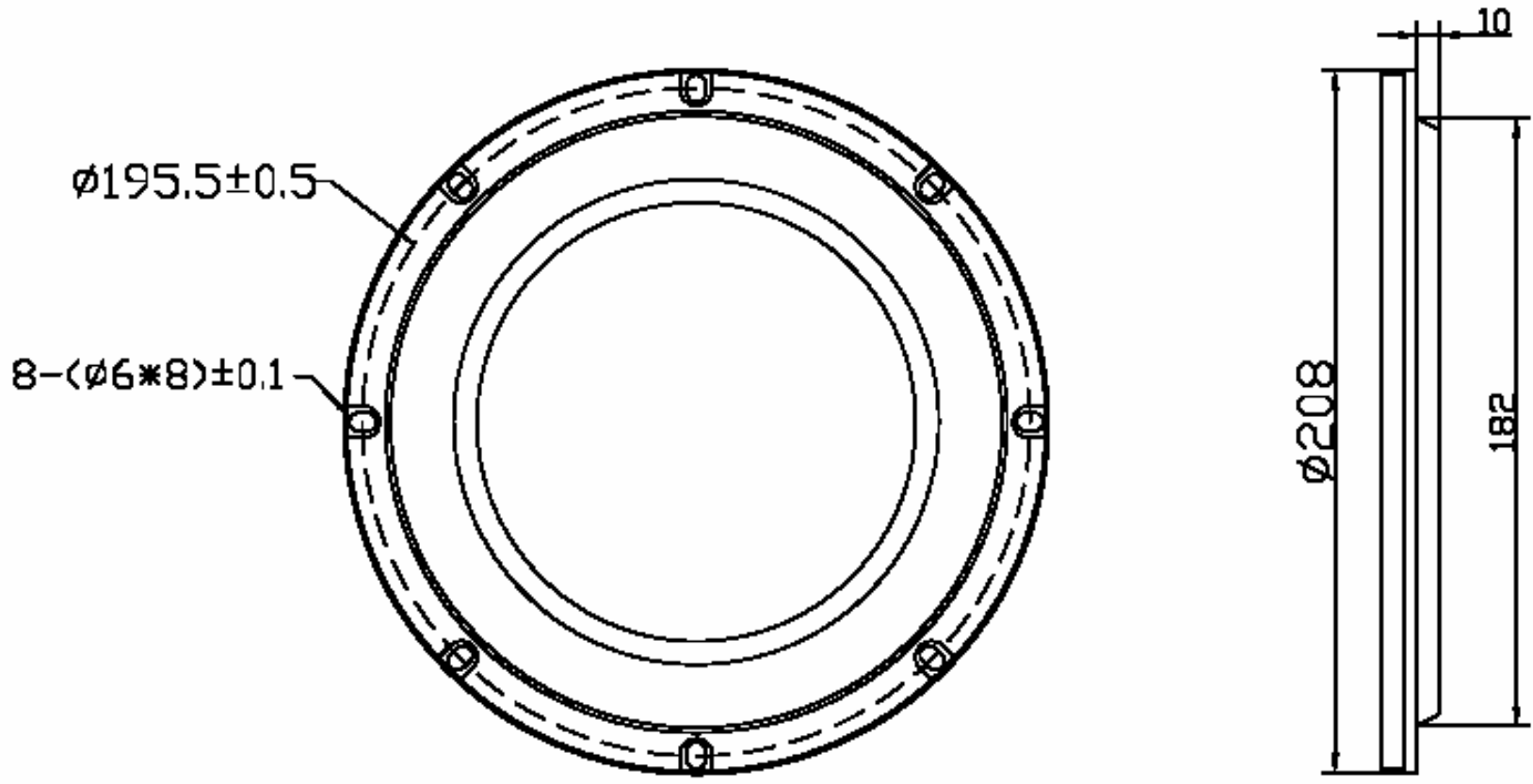


**Ø 182mm**  
Passive Radiator  
**Cut Diameter**

# 8" Subwoofer Driver Dimension



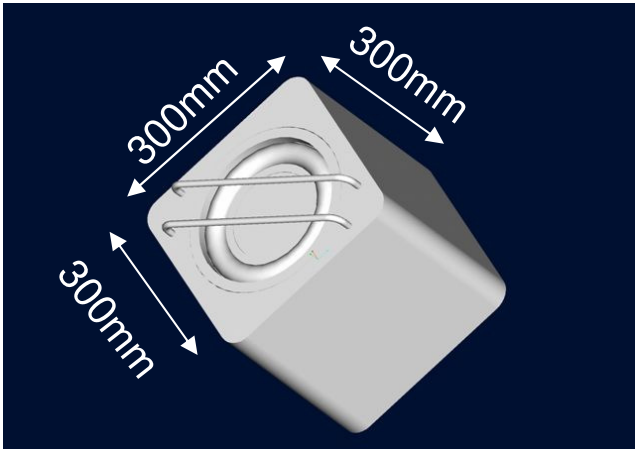
# 8" Passive Radiator Dimension



# 10" FS e<sup>2</sup> Subwoofer Installation Guide

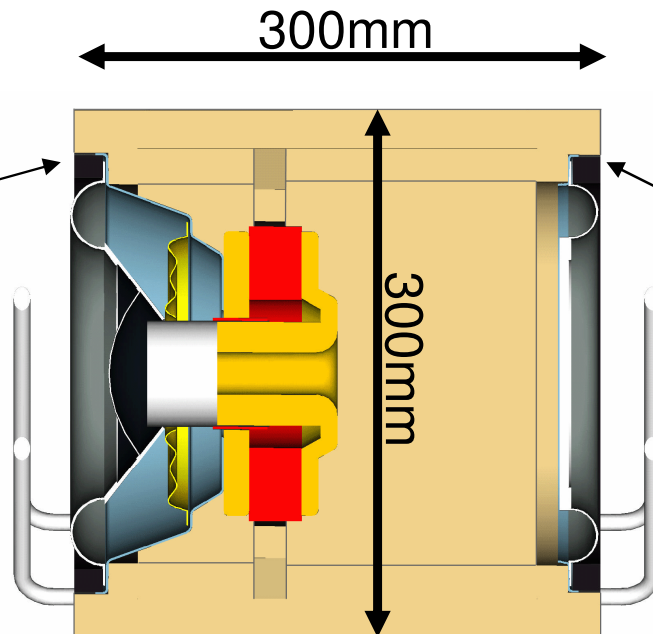


# 10" FS Subwoofer Installation with Passive Radiator



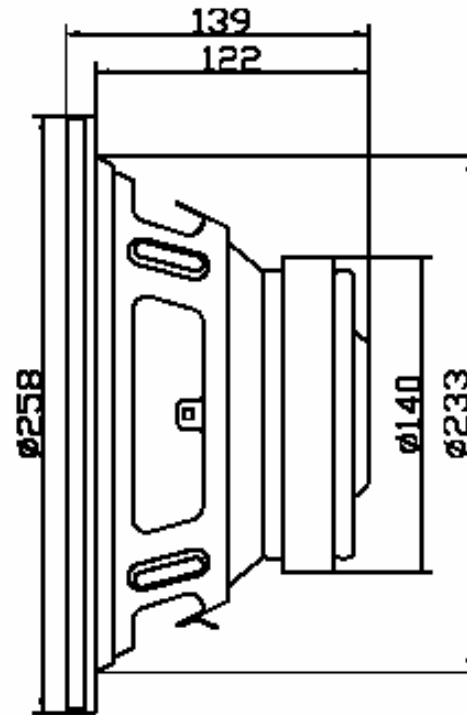
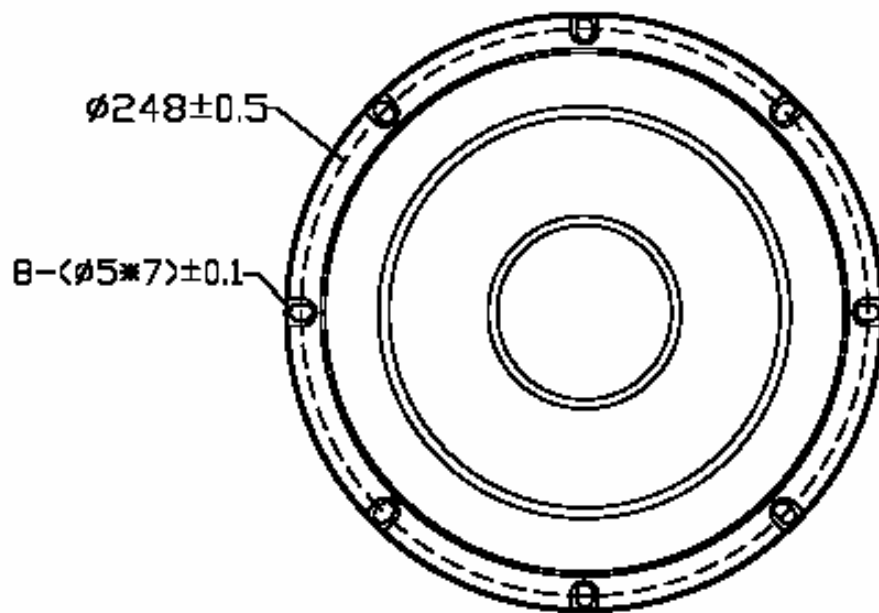
- Recommended Cube Enclosure of outer dimension of **300mm x 300mm x 300mm** using **15mm (min.)** to **25mm** thick MDF board.
- Box internal Volume needed is **15.6 (min.)** to **19.6** liters (+/-10%).
- Drivers Should be **mounted back to back** as shown below.

**Ø 233mm**  
8" Subwoofer Driver  
**Cut Diameter**



**Ø 226mm**  
Passive Radiator  
**Cut Diameter**

# 10" e2 Subwoofer Driver Dimension



# 10" e2 Passive Radiator Dimension

